

Page No.

1

**Differential Lock  
and Related Components**

2

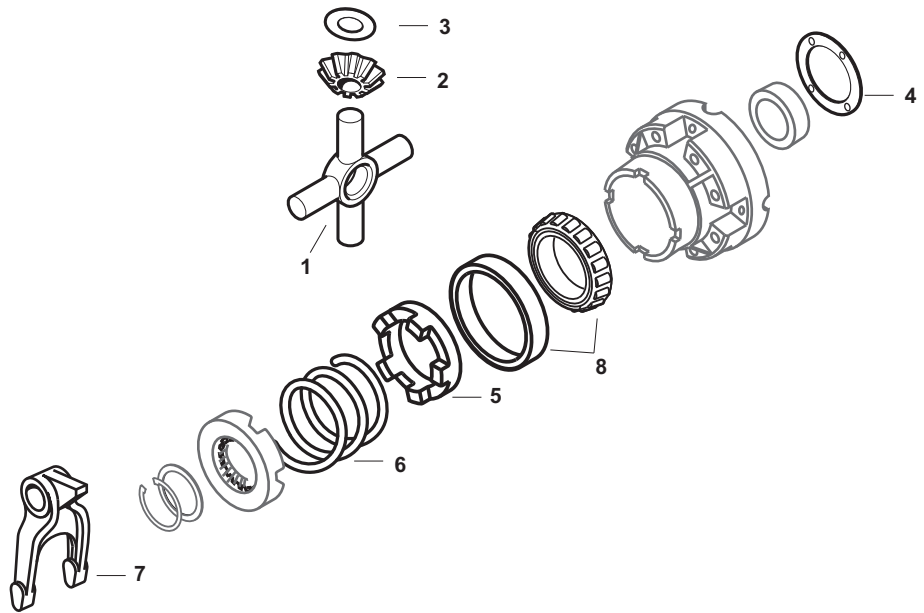
**Rear Axle Seals, Bearings  
and Related Components**

**Differential,  
Rear Axle  
and Related  
Components**

Please see Index for alternative O.E. part numbers.

These parts are Sparex parts and are not manufactured by the Original Equipment Manufacturer.  
Original Equipment Manufacturers names, part numbers and descriptions are quoted for reference purposes only.

## Differential Lock and Related Components



SPAREX No.	DESCRIPTION	EQUIVALENT	TRACTOR MODEL
1	S.66266 Spider	E1NN4211AB C5NN4211B	Dexta, Super Dexta
2	S.66267 Pinion - Gear	E1ADDN4213B	Dexta, Super Dexta, (Fordson Major, Power Major, Super Major 11/60-12/64)
3	S.66271 Thrust Washer	508E4230A	Dexta, Super Dexta, (Fordson Major, Power Major, Super Major 11/60-64)
4	S.66270 Thrust Washer	957E4228	Dexta, Super Dexta (11/61-64)
5	S.66279 Adaptor - Differential Lock	E186EB9	Super Dexta
6	S.66280 Spring	E188EB9	Super Dexta
7	S.66282 Fork - Differential Lock	C5NN4N053A	Super Dexta
8	S.41455 Bearing and Cup - Differential	NDA4221A NDA4222A	600, 700, 800, 900, 601, 701, 801, 901, 2000, 4000

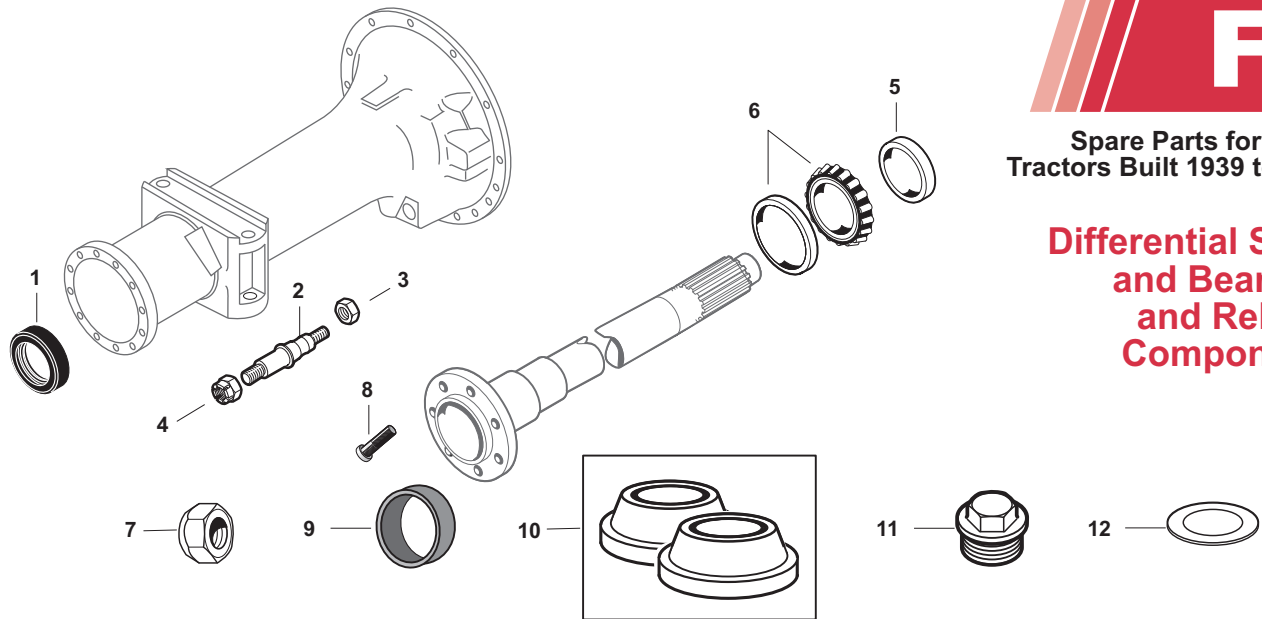
1 - A

DIFFERENTIAL LOCK AND RELATED COMPONENTS

	<u>Sparex No.</u>	<u>Price</u>
1.	S.66266	\$59.25
2.	S.66267	\$41.75
3.	S.66271	\$2.85
4.	S.66270	\$7.55
5.	S.66279	\$106.58
6.	S.66280	\$12.35
7.	S.66282	\$26.65
8.	S.41455	\$65.55

WE ARE NOT RESPONSIBLE FOR MIS-PRINTS OR PRICE CHANGES

## Differential Seals and Bearings and Related Components



SPAREX No.	DESCRIPTION	EQUIVALENT	TRACTOR MODEL
1	S.41417 Inner Seal	957E4233B	Dexta, Super Dexta
2	S.66273 Shaft - Lower Link	NCA563C	8N, NAA, Jubilee, 600, 800, 601, 801, 2000, 4000
3	S.08933 Nut - 5/8" Slotted - Outer		8N, NAA, Jubilee, 600, 800, 601, 801, 2000, 4000
4	S.40213 Nut - 3/4" Slotted - Inner		8N, NAA, Jubilee, 600, 800, 601, 801, 2000, 4000
5	S.41407 Axle Collar	9N4124	9N, 2N
5	S.66275 Axle Collar	NCA4132A	600, 800, 601, 801, 2000, 4000 (All Purpose Only)
6	S.18516 Bearing & Cup (#3720/3780)	9N4222 2N4221	9N, 2N, 8N, NAA, Jubilee,
6	S.65478 Bearing & Cup Assembly (Cone/Roller #387, Cup #382)	E18EB9 E19EB9	Dexta, Super Dexta
7	S.01754 Lug Nut	8N1134 86531375	8N, NAA, Jubilee, 600, 700, 800, 900, 601, 701, 801, 901, 2000, 4000, Dexta, Super Dexta
7	S.01060 Lug Nut	D3NN1120B	Fordson Major, Power Major, Super Major
8	S.01600 Stud	C5NN1N118J	Fordson Major, Power Major, Super Major
9	S.66741 Hub Spacer - Rear Axle (Replaces Cork Spacer)	8N4284	8N, NAA, Jubilee
10	S.61512 Sure Seal - Pkg of 2 (Rear Axle Seals)		9N, 2N
11	S.60340 Differential Filler Plug	9N7010	NAA, Jubilee, 600, 700, 800, 900, 601, 701, 801, 901, 2000, 4000
12	S.61323 Gasket	8N7011	9N, 2N, 8N, NAA, 600, 700, 800, 900, 601, 701, 801, 901, 2000, 4000

Please see Index for alternative O.E. part numbers.

These parts are Sparex parts and are not manufactured by the Original Equipment Manufacturer. Original Equipment Manufacturer names, part numbers and descriptions are quoted for reference purposes only.

2 - A

DIFFERENTIAL SEALS AND BEARINGS  
AND RELATED COMPONENTS

	<u>Sparex No.</u>	<u>Price</u>
1.	S.41417	\$6.00
2.	S.66273	\$15.97
3.	S.08933	\$0.98
4.	S.40213	\$1.02
5.	S.41407	\$11.37
5.	S.66275	\$15.38
6.	S.18516	\$46.10
6.	S.65478	\$34.28
7.	S.01754	\$1.05
7.	S.01060	\$2.20
8.	S.01600	\$3.25
9.	S.66741	\$2.43
10.	S.61512	\$10.50
11.	S.60340	Call for Price
12.	S.61323	\$1.58

WE ARE NOT RESPONSIBLE FOR MIS-PRINTS OR PRICE CHANGES